

# HERCULES 1000 - FAST WORK BOAT



## GENERAL

Hull Material	HDPE++
Fendering	HDPE++ / Rubber
Basic Function	Fast Work Boat
Certification	AMSA 2C

## DIMENSIONS

Length Overall	9.95 m
Length Waterline	8.70 m
Beam Overall	3.15 m
Draft (max)	0.60 m
Light Displacement	6500 kg
Payload (max)	1500 kg
Full Displacement	8000 kg

## TANK CAPACITIES

Fuel Capacity	800 litres
---------------	------------

## PERFORMANCE

Speed @ 1.5T Payload	25+ knots
Range @ 1.5T PL & 70% MCR	250 nm

## PROPULSION SYSTEM

Engine(s)	2x Yanmar 4LY2A-UTP
Propulsor	2x Fixed Pitch Propellers
Total Power	500 hp / 368 kW
Bollard Pull	2+ tons

## ELECTRICAL EQUIPMENT

Network	12 VDC
Batteries	1x starting, 1x service
Lighting	Navigation, deck, search light

## DECK LAY-OUT

Cabin	2x crew seats
Storage	Cabin fwd / under deck

## SHIP SYSTEMS

Bilge system	2x Electric, 1x Manual
Cooling water system	1x raw water strainer
Exhaust system	1x water lift muffler
Fuel Filtration	Micfil Ultra Fine Filters

## NAUTICAL AND COMMUNICATION EQUIPMENT

VHF	1x GMDSS
GPS / sounder	1x
Compass	1x, magnetic

## SAFETY

Fire Extinguishing System	Stat-X Aerosol (Engine Room)
Life Saving Appliances	Life raft, life jackets, signals

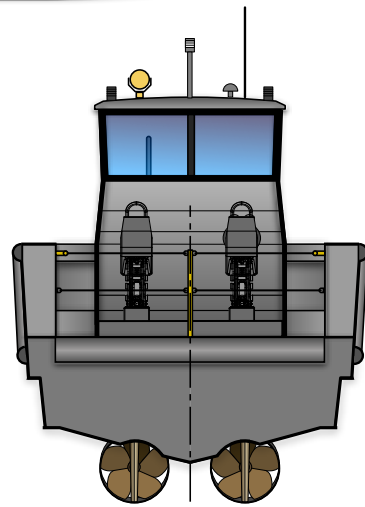
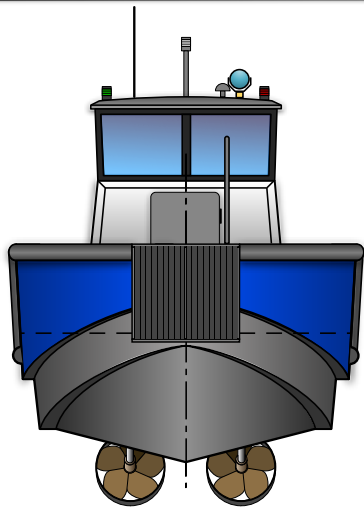
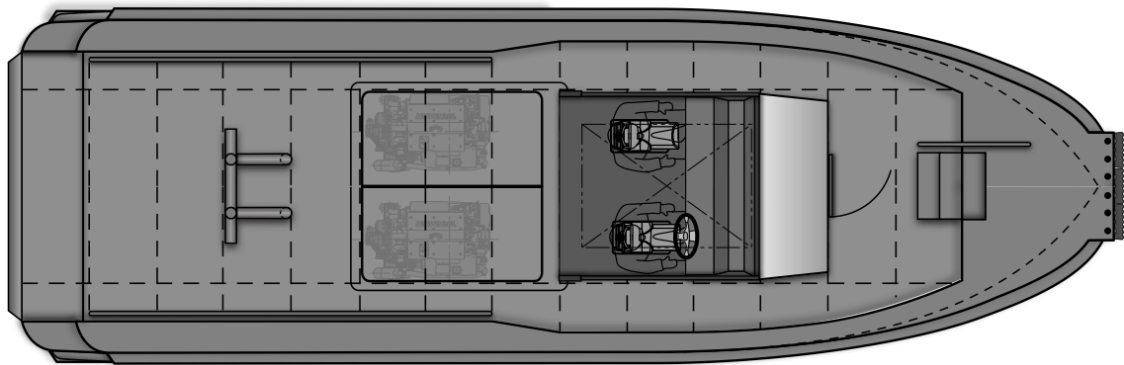
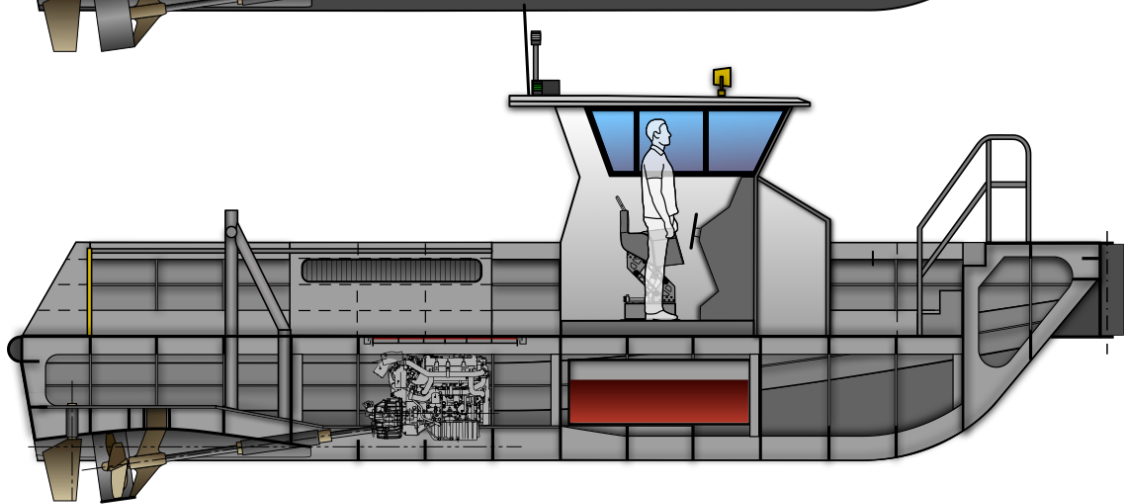
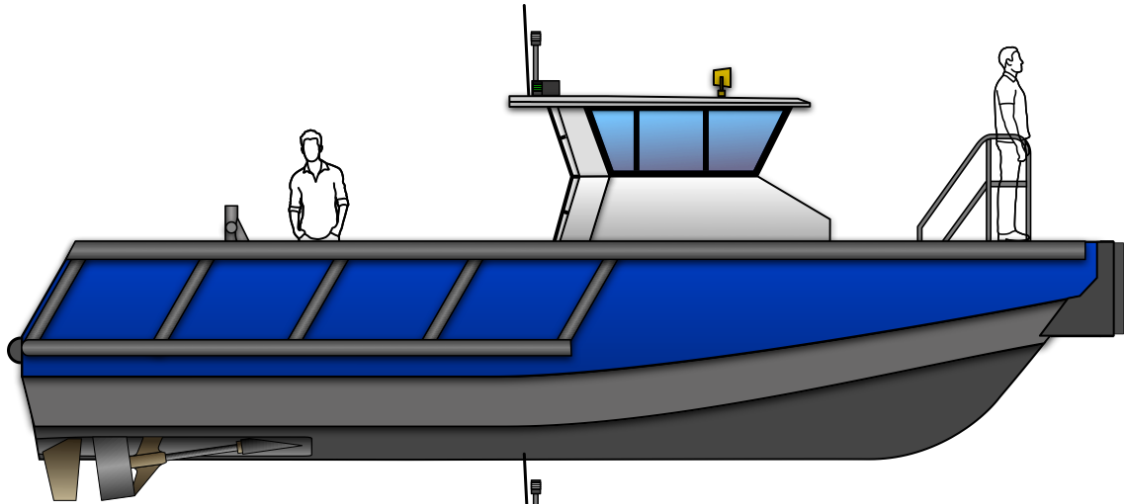
## OPTIONAL

Diesel waterjet / Diesel outboard	IACS Certification
Chart plotter / radar	

Orange Marine Pty Ltd T/A Versatile Marine  
20 Egmont Road  
Henderson WA 6166  
Australia

T: +61 8 9467 7604  
M: +61 4 1019 6902  
E: info@versatile-marine.com.au  
W: www.versatile-marine.com.au





Orange Marine Pty Ltd T/A Versatile Marine  
20 Egmont Road  
Henderson WA 6166  
Australia

T: +61 8 9467 7604  
M: +61 4 1019 6902  
E: [info@versatile-marine.com.au](mailto:info@versatile-marine.com.au)  
W: [www.versatile-marine.com.au](http://www.versatile-marine.com.au)

